

Anlage 2

Portal Unity Network

Munich Bridge to a United Planet

November 2022 | information & specifications



As an introduction, feel welcome to watch this brief video:

<https://youtu.be/P9ryY6PiOl4>



We all share more than what separates us



What is Portal Unity Network?

Portal Unity Network is a first-of-its-kind artwork, co-created by a global community of people. It consists of 5-tonne*, 3.4 metre tall technology art sculptures, called Portals, that will be placed in dozens of countries around the world.

Each Portal is freely accessible to the public, offering a livestream 24/7 365 days a year that is frequently rotating between different Portal locations on Earth.



*Each Portal is custom-made. The exact weight might differ.

Mission and purpose

“In a world of increasingly polarising narratives, it is important to remember that we are all inseparably connected through our journey on this tiny beautiful spaceship called Earth.

Portals are an invitation to rise above disagreements and experience unity.

Moving forward, we are going to build a global community that will make this experience accessible to billions of people.”

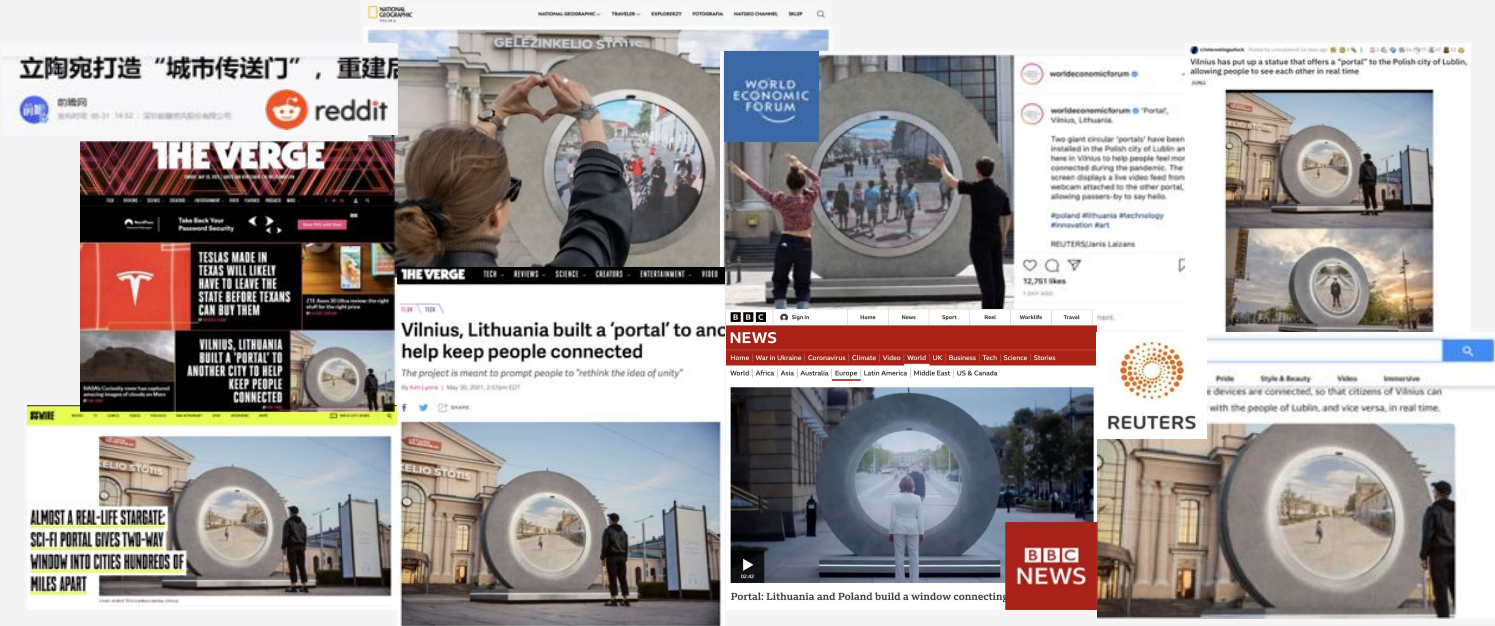
Benediktas Gylys,
Founder of Portal Unity Network







Portals in the Public Mind



Since 2021, the Portal Unity Network reached an audience of over 1.5 billion, being featured in major news outlets including: the BBC, The Times, Reuters, The World Economic Forum, Deutsche Welle, MSN, The Verge, Gizmodo, and hundreds of other offline and online publications in 85+ countries, along with hundreds of thousands of mentions of portals on social media.

NEWS

[Home](#) | [Queen Elizabeth II](#) | [War in Ukraine](#) | [Coronavirus](#) | [Climate](#) | [Video](#) | [World](#) | [UK](#) | [Business](#) | [More](#)

[Tech](#) | [Science](#)

[World](#) | [Africa](#) | [Asia](#) | [Australia](#) | [Europe](#) | [Latin America](#) | [Middle East](#) | [US & Canada](#)



Portal: Lithuania and Poland build a window connecting two cities

It looks like something out of a science fiction movie.

06.18.21

This digital sculpture functions as a portal between two cities



BY FAST COMPANY CONTRIBUTOR 3 MINUTE READ



What if you could visit somewhere without flying? What if you could meet someone face-to-face, without ever leaving your home town?

The past 18 months have been isolating. Many of us haven't seen friends or family. We haven't traveled. And now, even as much of the countries is opening back up, visiting certain foreign countries is still not an option.



WIKIPEDIA
The Free Encyclopedia

[Main page](#)
[Contents](#)
[Current events](#)
[Random article](#)
[About Wikipedia](#)
[Contact us](#)
[Donate](#)

[Contribute](#)

[Help](#)
[Learn to edit](#)
[Community portal](#)
[Recent changes](#)
[Upload file](#)

[Tools](#)

[What links here](#)
[Related changes](#)
[Special pages](#)
[Permanent link](#)
[Page information](#)
[Cite this page](#)
[Wikidata item](#)

[Print/export](#)

[Download as PDF](#)
[Printable version](#)

Not logged in [Talk](#) [Contributions](#) [Create account](#) [Log in](#)

[Article](#) [Talk](#)

[Read](#) [Edit](#) [View history](#)

Vilnius–Lublin Portal

From Wikipedia, the free encyclopedia

The ***Vilnius–Lublin Portal*** is a public attraction that videoconferences between separate outdoor structures in Vilnius, Lithuania, and Lublin, Poland.^[1]

Contents [hide]

- [Description](#)
- [Development](#)
- [Reception](#)
- [References](#)
- [Further reading](#)
- [External links](#)

Description [edit]

The portal connects [Vilnius, Lithuania](#), and [Lublin, Poland](#), through large, public structures that use videoconference technology, with a camera showing one location on the screen of the other.^[1]

Development [edit]

Benediktas Gylys conceived the portal concept with the desire to unify and develop empathy in onlookers. The project is a joint venture between the Benediktas Gylys Foundation, the Cities of Vilnius and Lublin, and the latter's Center for Intercultural Creative Initiatives. The portal took five years to develop into its final form. Engineers from [Vilnius Gediminas Technical University's](#) Creativity and Innovation Center designed the portal. It was designed as a circle to recall themes of time and from science fiction.^[1] Each portal weighs 11 tons.^[2]

How Portal locations are selected

All locations have two things in common:

- ① They are freely accessible to the public
 - Portal Unity Network is a first-of-its kind technology artwork. All Portals will be freely accessible to the public.
- ② They are landmarks for respect, diversity and human connection
 - Each Portal is an award, highlighting the unique character of a city



FAQ: technology & logistics

What's the electricity consumption of a Portal?

The average power consumption per month is ca. 672 - 874 kWh, subject to the type of LED screen used in the Portal.
Electrical requirements: min. 2.5 kW single-phase power outlet with earthing wire. 220-230 V outlet with automatic 16 A breaker. It can be an open cable or socket.

What are the requirements for internet?

We recommend using wired internet, and ideally a duplicate with a 4G or 5G modem. The Internet speed should be at least 100mb/s.

Does Portal require drilling into the ground?

The Portal can freely stand on an even surface and does not require anchoring / drilling. However, electricity and internet is required, which may require drilling for the cables.

Is Portal weatherproof?

Yes. Portals are made to be outside and to remain operational 24/7 for many years.

How to protect against vandalism?

The outer shell of Portals is made of concrete, steel and tempered glass. During more than 1 year of operation in Lithuania and Poland, we have not experienced major acts of vandalism. However, occasional cleaning (eg. the camera) has been necessary.

How is Portal transported and installed?

Our team will identify local partners for construction and logistics. We will take care of building and installing the Portal at the chosen location.

Pricing

(1) Construction and logistics

Each Portal is custom-made in proximity to its final destination. Our foundation is identifying local fabrication partners and coordinates the construction. We are typically choosing a partner based on a tender.

For this reason, construction costs can vary. You can roughly estimate construction & logistics costs of 200.000 EUR. A more tangible quote can be provided as we proceed with the project.

(2) Membership / artist fee

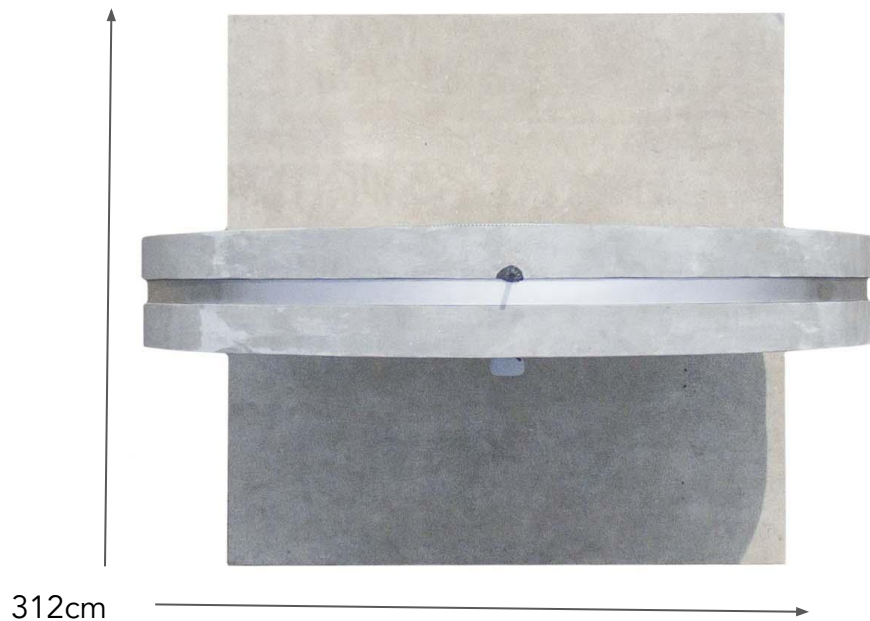
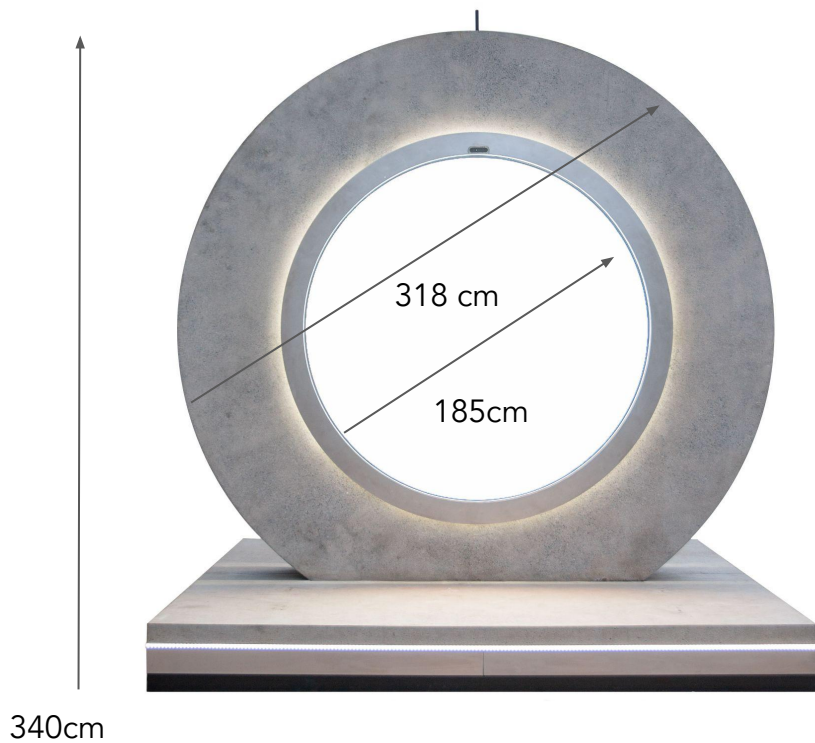
Our Foundation is charging an annual fee of 28.000 EUR which is covering design, software, PR & communications, and the continuous expansion of the Portal network to countries around the world.

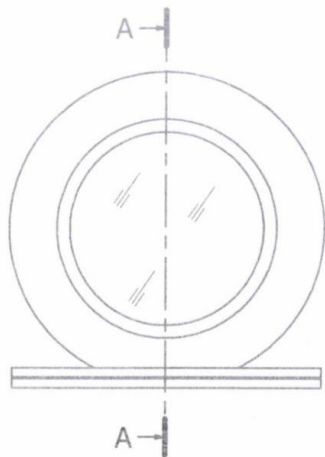
(3) Customization

You may choose to customize your Portal. On the rear end, there is a metal plaque that provides space for logos, symbols of your city or other symbols. You may commission an artist to develop a design for your Portals rear end. Alternatively, we can take care of the design on your behalf.

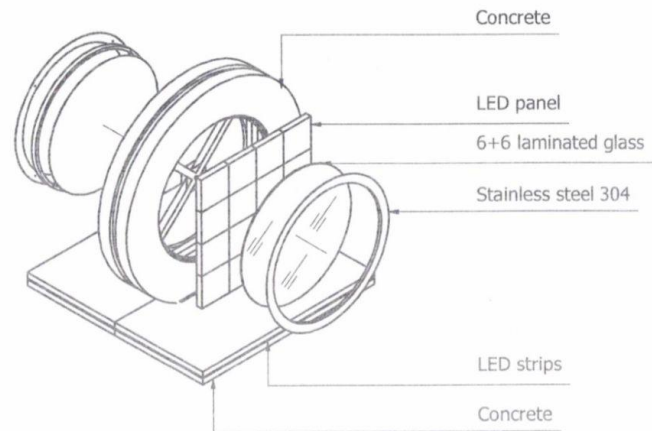
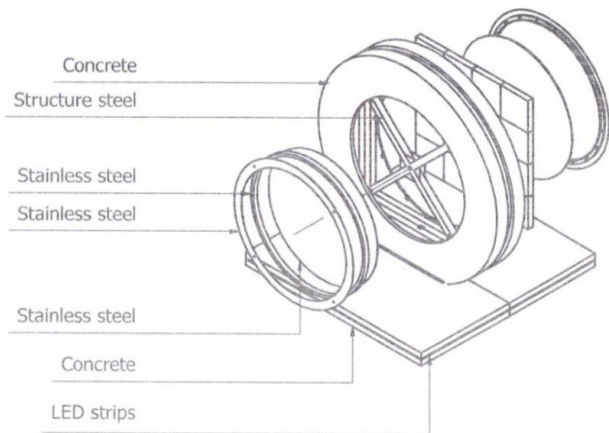
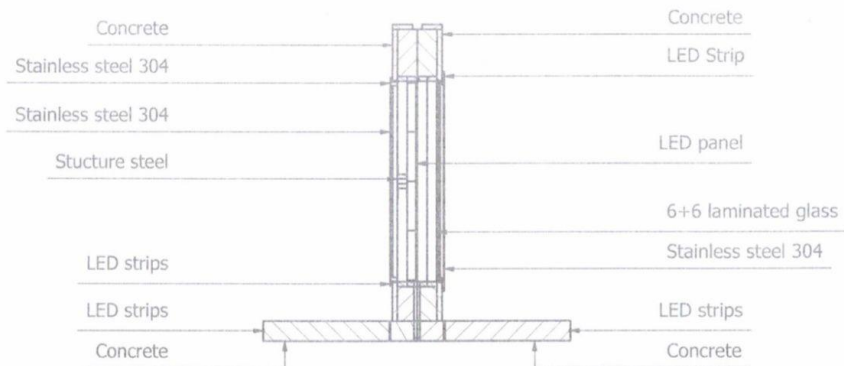


Technical specifications





A-A (1 : 40)





PORTAL
UNITY
NETWORK

